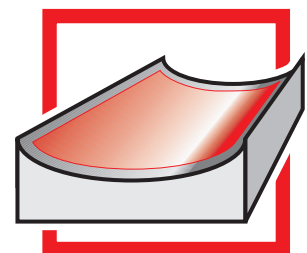




# ResinMix 2C/3C



Electrically actuated metering unit for the processing of epoxy resin for handlaminating and vacuum infusion





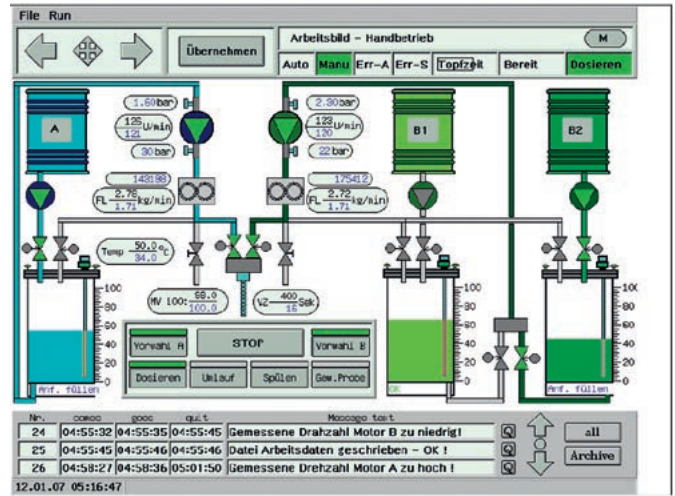
## ResinMix 2C/3C

### Technical Data

Viscosity	appr. 5.000 mPas
Processed quantity	2 – 60 l/min (depending on viscosity and mixing ratio)
Mixing ratio	variable

### Consumption / Connections

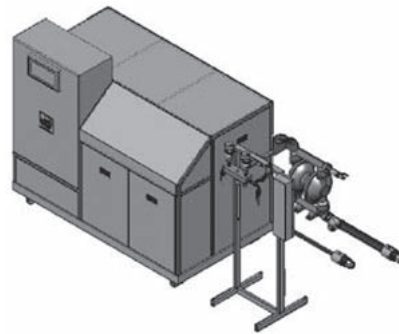
Material supply	pneumatic feeding pumps
Electric	max. 8,5 kW, 400VAC, 50Hz max. 16A
Pneumatic	R1/4", 6bar (consumption: low)
Weight	appr. 1.000kg (2C) appr. 1.100kg (3C)
Dimensions	(2.000 x 1.200 x 1.700)mm [L x W x H] (2C) (1.600 x 2.000 x 1.800)mm [L x W x H] (3C)



▲ visualized control



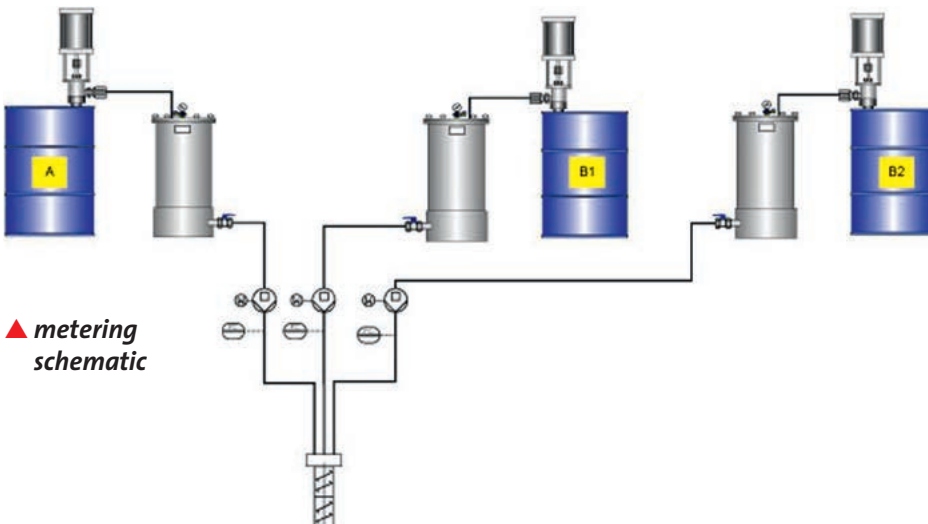
◀ heatable buffer vessel



▲ movable mixing head with easy-to-operate-unit



mixing head with automatic weight check valves



▲ metering schematic



▲ volume counter for metering control and automatic readjustment